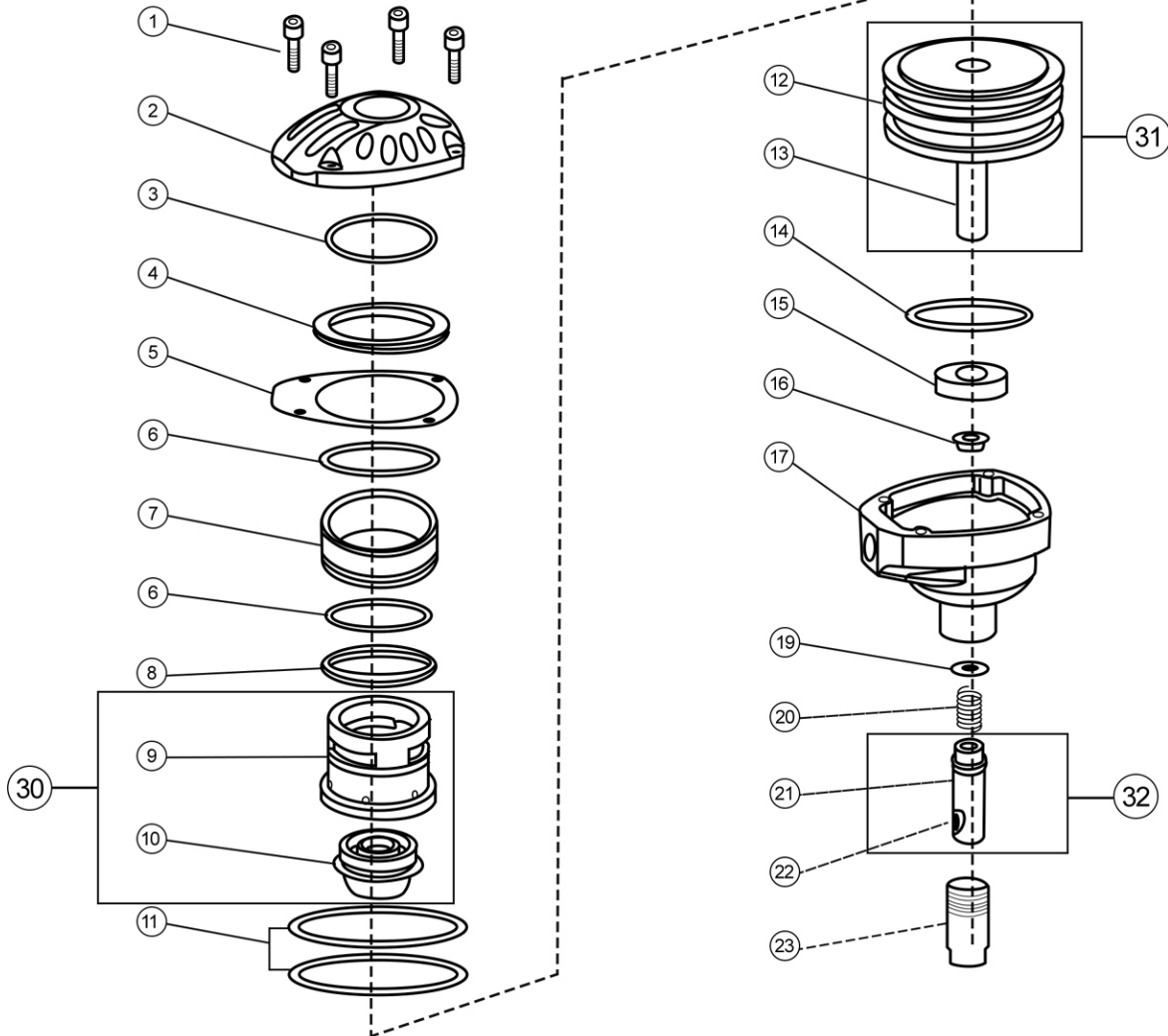


# Air Locker

Model # APN900



No.	Description	Qty.	No.	Description	Qty.
1	Bolt M5×20	1	14	O-ring 61.4×2.6	1
2	Cylinder Cover	1	15	Bumper	1
3	O-ring 53.5×2.6	1	16	Axle sleeve	1
4	Washer	1	17	Gun Body	1
5	Gasket	1	19	Washer	1
6	O-ring	1	20	Spring	1
7	Slip Set	1	32	<b>Magnet Assembly</b>	1
8	Sealing Ring	1	21	Fix Set	1
30	<b>Cylinder Assembly</b>	1	22	Magnet	1
9	Cylinder	1	23	Bolt	1
10	Cylinder Cover	1			
11	O-ring 43×2.65	1			
31	<b>Piston Assembly</b>	1			
12	Piston	1			
13	Ram Pin	1			