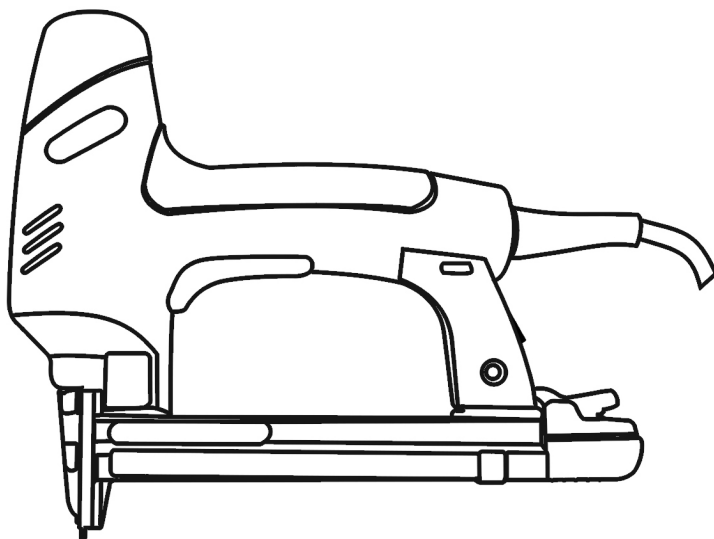


Air Locker

OPERATING INSTRUCTIONS



**PROFESSIONAL ELECTRIC
18 GAUGE BRAD NAILER
22 GAUGE UPHOLSTERY STAPLER
Model: U630E**

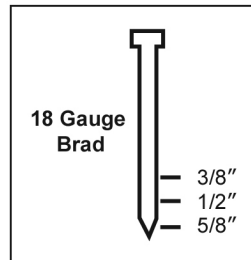
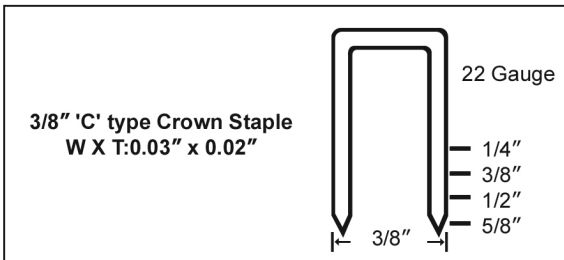


WARNING

**CAREFULLY READ THIS MANUAL
BEFORE OPERATING TOOL!**

PRODUCT SPECIFICATIONS

| | |
|----------------------------|--|
| Motor | 110 - 120 Volts, 50 - 60 Hz |
| Magazine Capacity | 100 Brad Nails or Staples |
| Type & Length of Staple | 22 Gauge Upholstery Staples 8-16mm, 5/16" - 5/8" Length |
| Type & Length of Brad Nail | 18 Gauge Brad Nails 15mm, 5/8" Length |
| Overall Dimensions | 10" x 8" x 2-1/2" |
| Firing Speed | 20 Brad Nails or Staples per minute (Max.) |



WORK AREA

1. Keep your work area clean and well lit. Cluttered benches and dark areas invite accidents. Make sure there is adequate surrounding workspace. Always keep the work area free of obstructions, grease, oil, trash, and other debris.
2. Do not operate power tools in explosive atmospheres, such as in the presence of flammable liquids, gases, or dust. Power tools create sparks which may ignite the dust or fumes.
3. Keep bystanders, children, and visitors away while operating a power tool. Distractions can cause you to lose control. Protect others in the work area from debris such as chips and sparks. Provide barriers or shields as needed.

ELECTRICAL SAFETY

1. Grounded tools must be plugged into an outlet properly installed and grounded in accordance with all codes and ordinances. Never remove the grounding prong or modify the plug in any way. Do not use any adapter plugs. Check with a qualified electrician if you are in doubt as to whether the outlet is properly grounded. If the tools should electrically malfunction or break down, grounding provides a low resistance path to carry electricity away from the user.

ELECTRICAL SAFETY

2. Double insulated tools are equipped with a polarized plug (one blade is wider than the other). This plug will fit in a polarized outlet only one way. If the plug does not fit fully in the outlet, reverse the plug. If it still does not fit, contact a qualified electrician to install a polarized outlet. Do not change the plug in any way. Double insulation eliminates the need for the three wire grounded power cord and grounded power supply system.
4. Avoid body contact with grounded surfaces such as pipes, radiators, ranges, and refrigerators. There is an increased risk of electric shock if your body is grounded.
5. DO not expose power tools to rain or wet conditions. Water entering a power tool will increase the risk of electric shock.
6. Do not abuse the Power Cord. Never use the Power Cord to carry the tools or pull the Plug from an outlet. Keep the Power Cord away from heat, oil, sharp edges, or moving parts. Replace damaged Power Cords immediately. Damaged Power Cords increase the risk of electric shock.
7. When operating a power tool outside, use an outdoor extension cord. These extension cords are rated for outdoor use, and reduce the risk of electric shock.

PERSONAL SAFETY

1. Stay alert. Watch what you are doing, and use common sense when operating a power tool. Do not use a power tool while tired or under the influence of drugs, alcohol, or medication. A moment of inattention while operating power tools may result in serious personal injury.
2. Dress properly. Do not wear loose clothing or jewelry. Contain long hair. Keep your hair, clothing, and gloves away from moving parts. Loose clothes, jewelry, or long hair can be caught in moving parts.
3. Avoid accidental starting. Be sure the Trigger is released before plugging in. Carrying power tools with your finger on the Trigger, or plugging in power tools with the Trigger on, invites accidents.
4. Remove adjusting keys or wrenches before plugging the tool in. A wrench or a key that is left attached to a moving part of the power tool may result in personal injury.

PERSONAL SAFETY

5. Do not overreach. Keep proper footing and balance at all times. Proper footing and balance enables better control of the power tool in unexpected situations.
6. Use safety equipment. Always wear work gloves and ANSI approved safety goggles. Dust mask, non-skid safety shoes, hard hat, or hearing protection must also be used for appropriate conditions.

TOOL USE AND CARE

1. Use clamps (not included) or other practical ways to secure and support the work piece to a stable platform. Holding the work by hand or against your body is unstable and may lead to loss of control.
2. Do not force the tool. Use the correct tool for your application. The correct tool will do the job better and safer at the rate for which it is designed.
3. Do not use the power tool if the Trigger does not operate properly. Any tool that cannot be controlled with the Trigger is dangerous and must be replaced.
4. Disconnect the Power Cord Plug from the power source before making any adjustments, changing accessories, or storing the tool. Such preventive safety measures reduce the risk of starting the tool accidentally.
5. Store idle tools out of reach of children and other untrained persons. Tools are dangerous in the hands of untrained users.
6. Maintain tools with care. Keep tools clean. Properly maintained tools are less likely to bind and are easier to control. Do not use a damaged tool. Tag damaged tools "Do not use" until repaired.
7. Check for misalignment or binding of moving parts, breakage of parts, and any other condition that may affect the tool's operation. If damaged, have the tool serviced before using. Many accidents are caused by poorly maintained tools.
8. Use only accessories that are recommended by the manufacturer for your model. Accessories that may be suitable for one tool may become hazardous when used on another tool.

SERVICE

1. Tool service must be performed only by qualified repair personnel. Service or maintenance performed by unqualified personnel could result in a risk of injury.
2. When servicing a tool, use only identical replacement parts. Follow instructions in the "Inspection, Maintenance, and Cleaning" section of this manual. Use of unauthorized parts or failure to follow maintenance instructions may create a risk of electric shock or injury.

SPECIFIC SAFETY RULES

1. Avoid unintentional starting. Make sure you are prepared to begin work before turning on the Nailer / Stapler.
2. Do not force the Nailer / Stapler. This tool will do the work better and safer at the speed and capacity for which it was designed.
3. Never leave the Nailer / Stapler unattended when it is plugged into an electrical outlet. Turn off the tool, and unplug it from its electrical outlet before leaving.
4. Always keep your hands away from the work piece when firing Brads Nails and Staples. This Nailer / Stapler has enough power to force Brad Nails or Staples through skin, causing serious injury.
5. Always unplug the Nailer / Stapler from its electrical outlet before performing an inspection, maintenance, or cleaning procedures.
6. Do not load Brad Nails or Staples with the trigger or safety depressed or when plugged into the power outlet. Unintentional firing may occur.
7. Fire fastener into an appropriate work surface only. Do not attempt to fire fasteners into surfaces too hard to penetrate. Do not drive fasteners on top of other fasteners, or at too steep of an angle. Fastener can ricochet causing personal injury.
8. Do not fire fastener too close to the edge of a work piece. They may split the work piece ricochet, causing personal injury.

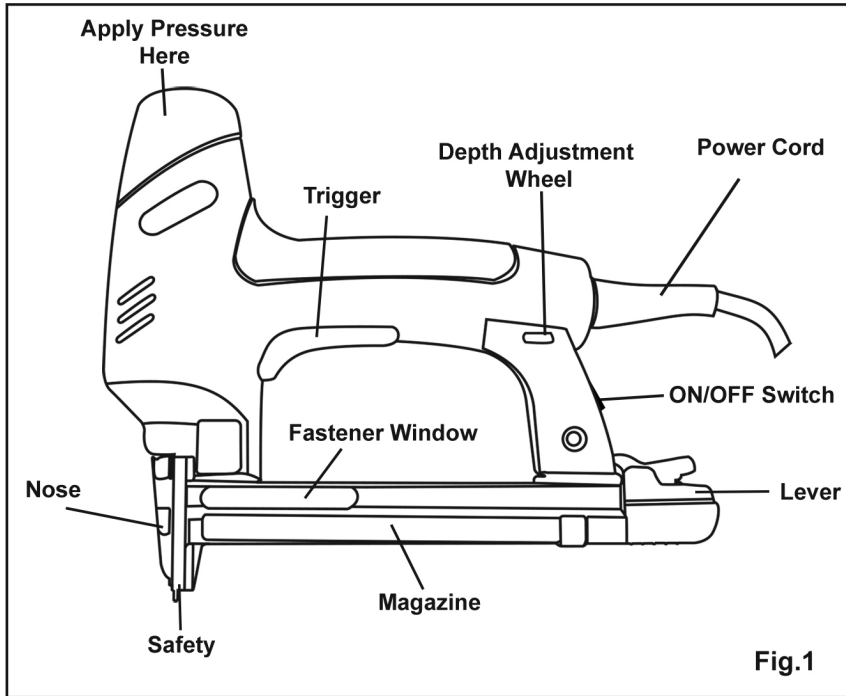
SPECIFIC SAFETY RULES

9. WARNING!

Some parts of this product contains chemicals known to the State of California to cause cancer and birth defects or other reproductive harm. None of these products are to come in contact with food and drinking water. Please wash your hands with soap and water after touching these products.

Some dust created by power sanding, sawing, grinding, drilling, and other construction activities, contains chemicals known (to the State of California) to cause Cancer, birth defects or other reproductive harm. Some examples of these chemicals are: lead from lead-based paints, crystalline silica from bricks and cement or other masonry products, arsenic and chromium from chemically treated lumber. Your risk from these exposures varies, depending on how often you do this type of work. To reduce your exposure to these chemicals: work in a well ventilated area, and work with approved safety equipment, such as those dust masks that are specially designed to filter out microscopic particles.

ASSEMBLY AND OPERATION INSTRUCTIONS



Warning! This Nailer / Stapler is not suited for nailing or stapling into concrete, masonry, bricks, or metal.

Warning! Do not fire if Brad Nails or Staples are jammed in the Nose section. Unplug the unit and follow the "Removing Jammed Staples or Brad Nails".

WARNING! This Nailer has a Sequential Trip safety mechanism. With the nose of the Nailer contacting a surface, the unit will fire only once when the trigger is pulled.

Testing the Sequential Trip safety Mechanism

1. The nailer should not fire if the Safety is not depressed against the workpiece.
2. Turn the ON/OFF switch off and make sure the tool is disconnected from the power supply.
3. Empty the magazine of nails.

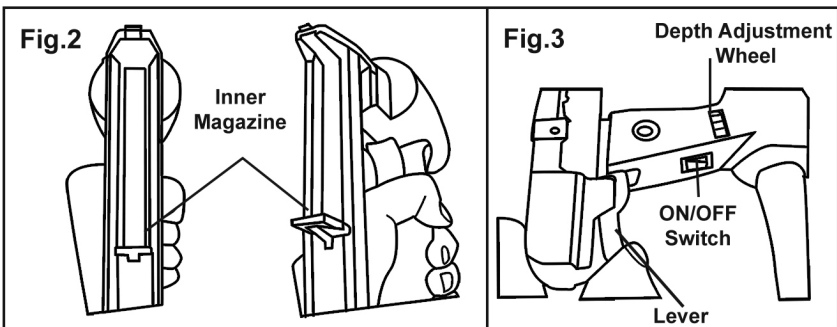
ASSEMBLY AND OPERATION INSTRUCTIONS

4. Check that the Trigger and the safety of the tool, move freely, without sticking.
5. Plug the tool into the power outlet.
6. Test the tool by depressing the safety of tool against the work piece without pulling Trigger. The tool must not cycle (fire). If it cycles (fires), stop immediately and take the tool to a qualified service technician for repair.
7. Hold the tool away or off of the workpiece. The Safety of the tool should return to its original position. Squeeze the Trigger. The tool should not cycle (fire). If it cycles (fires), stop immediately and take the tool to an authorized service technician.
8. Depress the Safety of tool against the workpiece and squeeze the Trigger. The tool must cycle (fire) once only. If it fails to cycle (fire) or fires more than once take it to an authorized service technician.

Warning! Disconnect the Nailer from the power outlet whenever loading it.

Loading Brad Nails Staples. See Figures 2 and 3 below.

1. Depress the Lever and extend the inner Magazine all the way out.
2. When loading Brad Nails, make sure you insert the pins of the nails on the side of the Magazine with the groove in it. The Brad nails should fit into the groove. When loading Staples, insert the crown up, onto the Magazine.
3. Slide the extended Inner Magazine back until the Lever clicks into place. Do not force the Inner Magazine or you may damage the tool.



OPERATING INSTRUCTIONS

ON/OFF SWITCH

The ON/OFF switch is located at the rear of handle. To turn the tool on, press the top of the ON/OFF switch and to turn the tool off, press the bottom of the ON/OFF switch.

When the unit is loaded with fasteners and you are ready to begin, plug the Nailer / Stapler Power Cord into a power outlet.

1. Hold the tool with both hands, so that the Nose is flat against the work piece, making sure that the Safety is also firmly against the work piece.
2. Gently squeeze the Trigger to fire the tool.
3. If you need a deeper driving depth, adjust the Depth Adjustment Knob. See FIGURE 3 on page 8, which you can adjust from 1-6 according to the depth.

Note: Practice depth adjustment on scrap material first.

4. If more depth is needed, and you are nailing or stapling into a hard surface, you may apply pressure on the top of the unit. See FIGURE 1 on page 7. On soft surfaces do not apply excessive pressure or the Brad Nail or Staple may penetrate the work piece too deeply.

Note: Each time you fire the Nailer / Staple Gun, the Safety must be pressed firmly against the work piece.

Removing Jammed Staples or Brad Nails

1. First, unplug the Nailer / Stapler. If a nail is jammed in the discharge area, simply remove it with pliers.
2. If a nail is jammed in the Magazine, depress the Lever and extend the Inner Magazine all the way out. See FIGURES 2 and 3 on page 8. Use a flat and/or needle nose pliers to free the Brad Nail or Staple.

INSPECTION, MAINTENANCE AND CLEANING

WARNING!

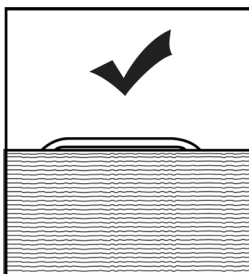
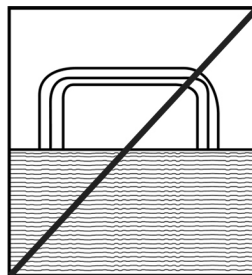
1. Make sure that the tool is unplugged from its electrical outlet before performing any inspection, maintenance, or cleaning procedures.
2. **BEFORE EACH USE**, inspect the general condition of the Nailer /Stapler. Check for loose screws, misalignment or binding of moving parts, cracked or broken parts, damaged electrical wiring, and any other condition that may affect its safe operation. If abnormal noise or vibration occurs, have the problem corrected before further use. Do not use damaged equipment.
3. Wipe tool clean with a lint free cloth and inspect it for damage. Do not use the tool if you find damage. Have it repaired by an authorized service technician.
4. Keep all screws tight. Loose screws may damage the tool and cause personal injury.
5. Make sure the Nose is clear of all dirt or debris.

HOW TO DETERMINE PROPER STAPLE LEG SIZE

In choosing the proper leg length for a job there are two basic things to consider:

1. Thickness of material to be stapled.
2. Hardness of the wood.

As a general rule, in hardwood approximately 3/16" to 1/4" penetration into the wood is sufficient... and for softwood – up to approximately 3/8" should be sufficient. If the staple used "stands out" from the work – this means that too long a leg length has been used. In that case we recommended the next shorter leg length for desired results.



NAIL PENETRATION

The U630E shoots a 5/8" (15mm) nail. For best penetration, hold the gun flat against the surface. Do not tilt or raise the gun.

EXTENSION CORDS

Replace or repair damaged cords.

- For extension cord use # 14 gauge wire cords.

IMPORTANT Gun must not be loaded with staples and nails at the same time.