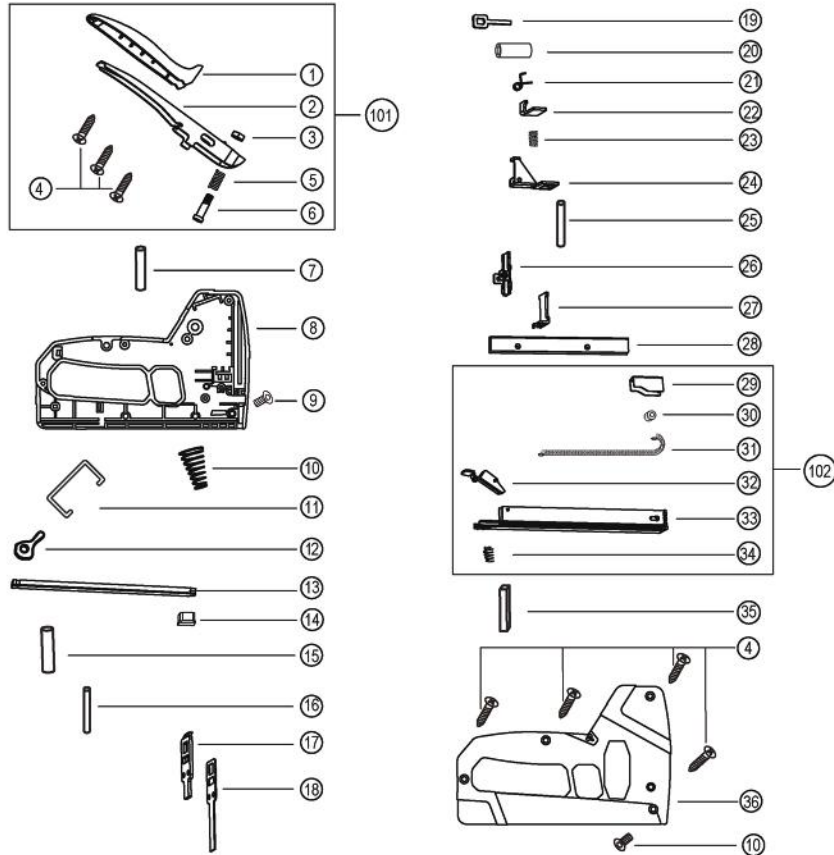


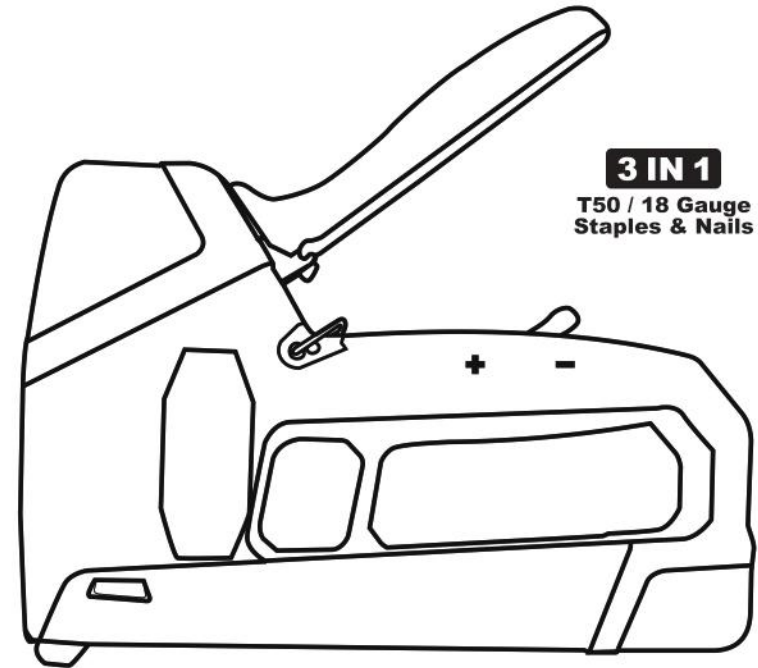
PARTS LIST & SCHEMATIC



| S.No. | Description | Qty. | S.No. | Description | Qty. | S.No. | Description | Qty. |
|-------|----------------------|------|-------|---------------------------|------|-------|-----------------------|------|
| 1 | Plastic Handle Cover | 1 | 17 | Driver | 1 | 33 | Magazine Lower(Ass.) | 1 |
| 2 | Handle | 1 | 18 | Driver Blade | 1 | 34 | Compression Spring | 1 |
| 3 | Screw Nut | 1 | 19 | Suspension Key | 1 | 35 | Cuboid Prop | 1 |
| 4 | Screw | 1 | 20 | Suspension Key Guide | 1 | 36 | Plastic Shell Right | 1 |
| 5 | Compression Spring | 1 | 21 | Torsion Spring | 1 | 101 | Handle Unit | 1 |
| 6 | Screw Bolt | 1 | 22 | Suspension Key Holder | 1 | 102 | Magazine Unit (Lower) | 1 |
| 7 | Cylinder Prop | 1 | 23 | Compression Spring | 1 | | | |
| 8 | Plastic Shell Left | 1 | 24 | Suspension Key Support | 1 | | | |
| 9 | Flat Head Screw Bolt | 1 | 25 | Cylinder Prop | 1 | | | |
| 10 | Compression Spring | 1 | 26 | Driver Guide | 1 | | | |
| 11 | Handle Lock Loop | 1 | 27 | Safety Lever | 1 | | | |
| 12 | Power Setting Switch | 1 | 28 | Magazine Upper | 1 | | | |
| 13 | Cross Beam | 1 | 29 | Nail Feeder | 1 | | | |
| 14 | Driver Stop Bumper | 1 | 30 | Nail Feeder Spring Roller | 1 | | | |
| 15 | Cylinder Prop | 1 | 31 | Nail Feeder Spring | 1 | | | |
| 16 | Cylinder Prop | 1 | 32 | Magazine End Click Lever | 1 | | | |

Air Locker

OPERATING INSTRUCTIONS AND PARTS MANUAL



Hand Stapler / Nailer Model: M641



CAREFULLY READ THIS MANUAL BEFORE OPERATING TOOL!



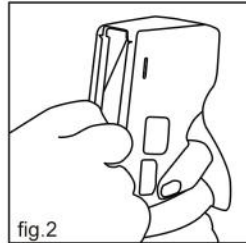
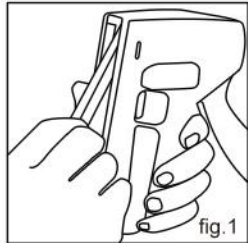
Always wear safety glasses. Keep out of reach of children. Watch out for potential hazards such as electrical wires. Never point staple gun or shoot staples at people. Read all instructions before operating.

SAFETY INFORMATION

1. Read all instructions before operation your Multifunctional Manual Staple Gun Tacker.
2. Do not allow children to operate this staple gun. Keep away from children.
3. Do not attempt to disassemble or reassemble this tool at any time.
4. Always wear eye protection.
5. Never point stapler at yourself or others. Always assume tool is loaded and proceed with caution.
6. Use in well-lit area.

LOADING STAPLES

Turn staple gun upside down. Squeeze track release lever and slide track backward. Load staples into the notch with points facing up, figure 1, or put the nails into the right side of the notch with points facing up, figure 2, and slide track back into place until locked.



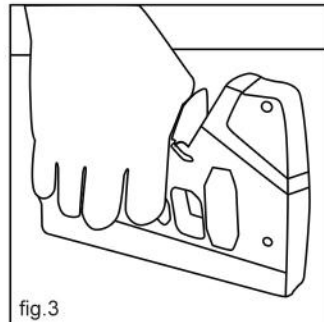
OPERATING THE STAPLER

The Multifunctional Manual Staple Gun has three staple operating modes:

1. Normal Stapling
2. Safety Press Stapling
3. Hammer Stapling

NORMAL STAPLING OPERATION:

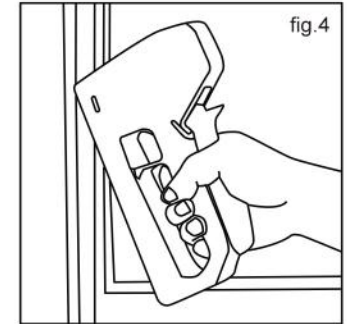
Place the stapler on the workpiece and press the handle to shoot staples, figure 3.



OPERATING THE STAPLER

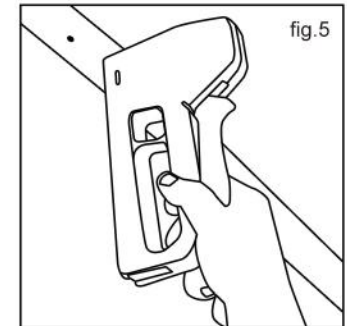
SAFETY PRESS STAPLING OPERATION:

Press the handle to clatter, locked, no fire, Figure 4. Then press the safety pin towards workpiece to shoot staple. For best results and flush stapling use downwards pressure on the head of the staple gun. This mode is recommended for accurate and precise flush stapling as well as stapling in hard to reach areas.



HAMMER STAPLING OPERATION:

Press the handle to clatter, locked, no fire, then knock the safety pin towards workpiece to shoot staple, Figure 5. This mode is recommended for stapling in very high area and floating surface.



ADJUSTABLE DRIVE:

Move Power Setting Lever forward for driving into head (+) or backward for soft (-) surfaces.

TROUBLESHOOTING

•STAPLE DOES NOT SHOOT OUT OF STAPLE GUN:

Make sure handle is in down position and ready to be fired. If handle is down, press the safety pin towards workpiece or knock the safety pin towards workpiece. Check staple chamber for any jammed staples.

•TO CLEAR JAMMED STAPLES:

Turn staple gun upside down, squeeze track release lever and slide track backward. Remove all staples, some staples may require a long nose plier to be removed. Once all jammed staples are removed, reload staples into the staple chamber with points facing up and slide track back into place until locked.

• STAPLE IS NOT FLUSH:

Staple length may be too long. Try a shorter staple leg length.