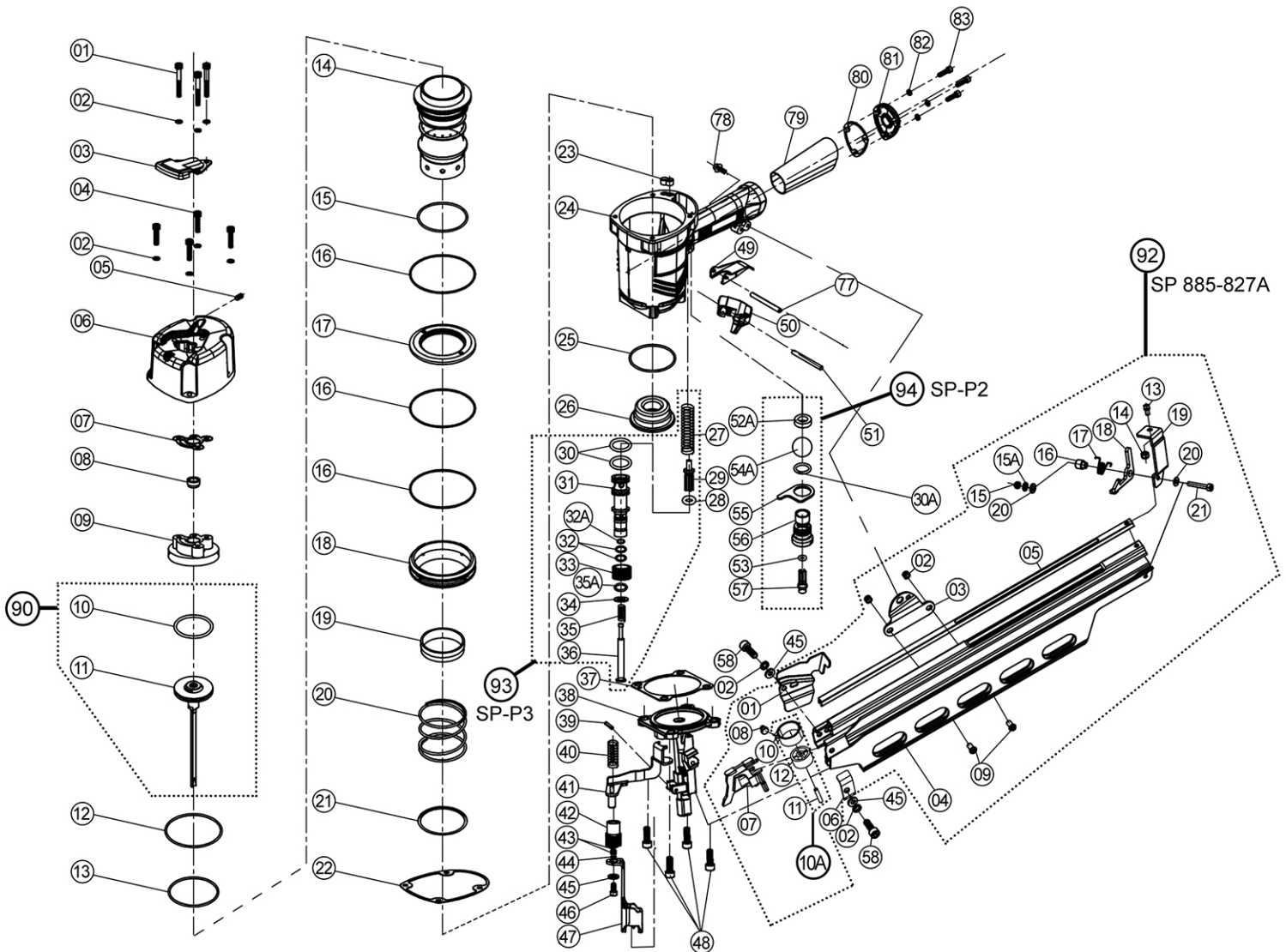


# Air Locker

Model # AL83A2



No.	Description	Qty.	No.	Description	Qty.	No.	Description	Qty.	No.	Description	Qty.
01	Hex Bolt	3	26	Bumper	1	48	Hex Bolt	4	6	Mag. Front Guard	1
02	Vibrate Washer	9	93	<b>Plunger Valve Assembly (SP-P3)</b>	1	49	Trigger Body	1	7	Nail Pusher	1
03	Exhaust Deflector	1	27	Compression Spring	1	50	Safety Guide Frame	1	8	Ribbon Spring	1
04	Hex Bolt	4	28	O-Ring	1	94	<b>Trigger Valve Assembly (SP-P2)</b>	1	9	Hex Bolt	2
05	Hex Bolt	1	29	Trigger Plunger	1	52A	Rectangular Gasket	1	13	Hex Bolt	1
06	Cylinder Head Cap	1	30	O-Ring	3	53	O-Ring	2	14	Screw Nut	1
07	Hd. Piston Valve Gasket	1	31	Trigger Valve Stem	1	54A	Rubber Ball	1	15	Screw Nut	1
08	Seal	1	32	O-Ring	3	55	Trigger Valve Plate	1	15A	Spring Waher	1
09	Head Valve Piston	1	32A	O-Ring 4.5x1.8	1	56	Trigger Valve Bushing	1	16	Bushing	1
90	<b>Piston-Driver Assembly</b>	1	33	Trigger Valve Cage	1	57	Trigger Valve Plunger	1	17	Torsion Spring	1
10	O-Ring	1	34	Plain Washer	1	30A	O-Ring 11.2x1.85	1	18	Hook Stop Lever	1
11	Piston-Driver	1	35	Trigger Pin Spring	1	58	Hex Bolt	2	19	Mag. End Stopper	1
12	O-Ring	1	35A	O-Ring 9x1.8	1	10A	<b>Ribbon Spring Assembly</b>	1	20	Plain Washer	2
13	O-Ring	1	36	Trigger Valve Pin	1	10	Ribbon Spring	1	21	Hex Bolt	1
14	Cylinder	1	37	Bottom Gasket	1	11	Spring Roller Pin	1	77	Spring Bolt	1
15	O-Ring	1	38	Driver Guide	1	12	Spring Roller	1	78	Hex Bolt	1
16	O-Ring	1	39	Spring Pin	2	92	<b>Magazine Assembly</b>	1	79	Handle Grip	1
17	Support Collar Upper	3	40	Compression Spring	1	1	Mag. Front Guard	1	80	End Cap Gasket	1
18	Support Collar Lower	1	41	Safety	1	2	Mag. Front Guard	1	81	Air Inlet End Cap	1
19	Sealing Ring	1	42	Depth Control	1	2	Right	2	82	Vibrate Washer	3
20	Compression Spring	1	43	Compression Spring	2	2	Screw Nut	2	83	Hex Bolt	3
21	Lining Ring	1	44	Steel Ball	2	3	Magazine Bracket	1			
22	Head Cap Gasket	1	45	Plain Washer	3	4	Magazine Body	1			
23	Air Seal	1	46	Hex Bolt	1	5	Nail Guide	1			
24	Tool Body	1	47	Safety Pushing Lever	1						
25	O-Ring	1									